

◆ Features

- * Input power supply maximum to 15VDC
- * Fixed on 1/2 duty cycle
- * All LEDs are sequence shift blinking when K1 , K2 , K3 or K4 trigger pins no need to activated .
- * 4 trigger pins (K1 , K2 , K3 , K4) for 4 difference LED blinking type option
 - K1 pin = 10 LED all blinking at same time K3 pin = 10 LED are light without blinking
 - K2 pin = 10 LED continuance blinking (L1 , L1+L2 , L1+L2+L3 , L1+L2+L3+L4 , L1+L2+L3+L4 +L5 , , L1+L2+L3+L4+L5+L6 +L7+L8+L9+L10 , ...)
 - K4 pin = 10 LED sequence forward and backward blinking (L1 , L2 , L3 , L4 , L5 , L6 , L7 , L8 , L9 , L10 , L9 , L8 , L7 , L6 , L5 , L4 , L3 , L2 , L1 , L2 , L3 ,)
- * L1 , L2 , L3....or L10 pin , each pin can be extension to 4 LEDs between pin to VSS , LED maximum to 40 pcs

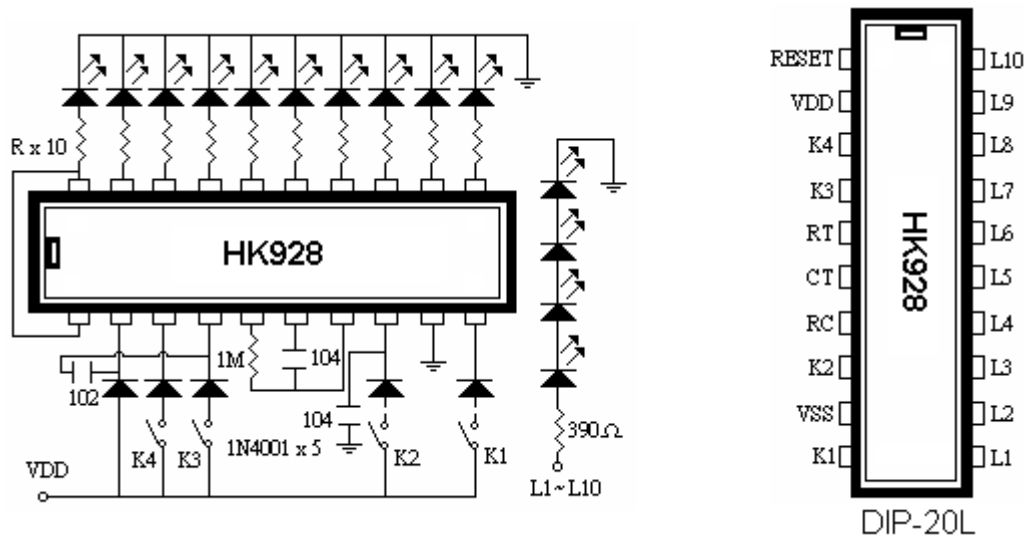
◆ Application

- * Car break light , Toys , Key Chain , Bicycle / Motorcycle light

◆ Electrical Characteristics

Characteristics	Sym.	Min.	Typ.	Max.	Unit	Remark
Operating voltage	V _{DD}	2	12	15	V	
Operating current	I _{OP}	----	0.1	0.5	mA	No Load
Stand by current	I _{SB}	----	1	5	uA	
Oscillator frequency	F _{OSC}	----	64	----	KHz	± 20% R _{osc} = 1MΩ
Operating temperature	T _{EMP}	0	25	60	°C	
Driving current	I _O	25	----	----	mA	@ V _{DS} =3.0V

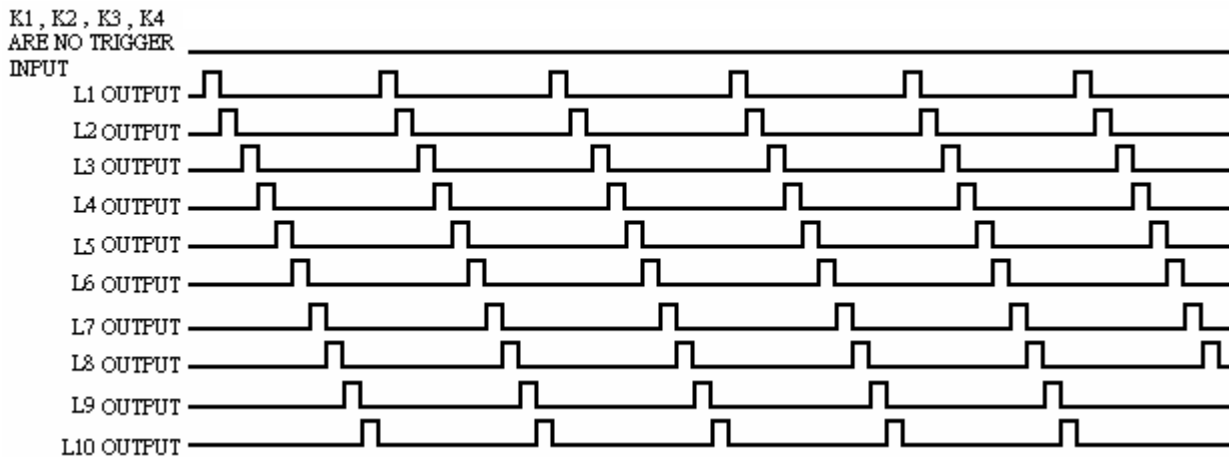
◆ Application circuit



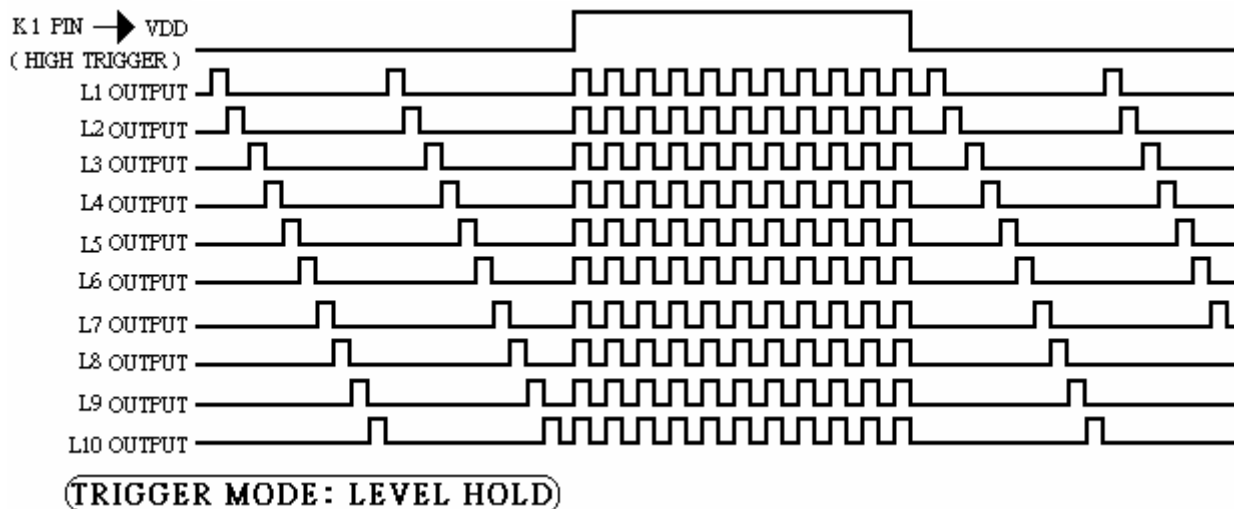
★ Package Type : DIP-20L

★ Trigger Mode and Timing Chart :

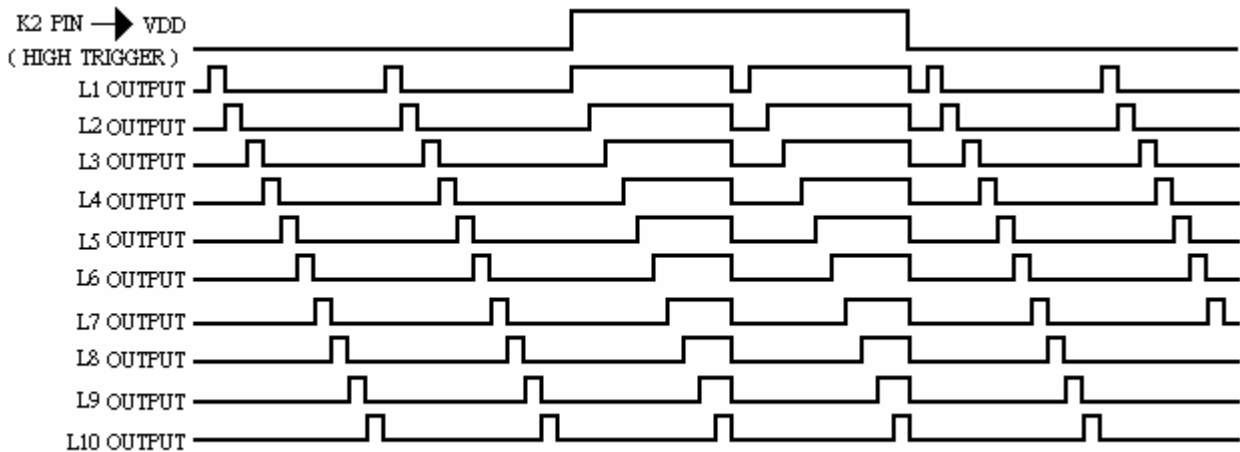
(A) K1 , K2 , K3 , K4 pin are no trigger input :
(All LEDs are sequence shift blinking)



(B) Timing chart of K1 pin trigger :
(All LEDs are blinking at same time)

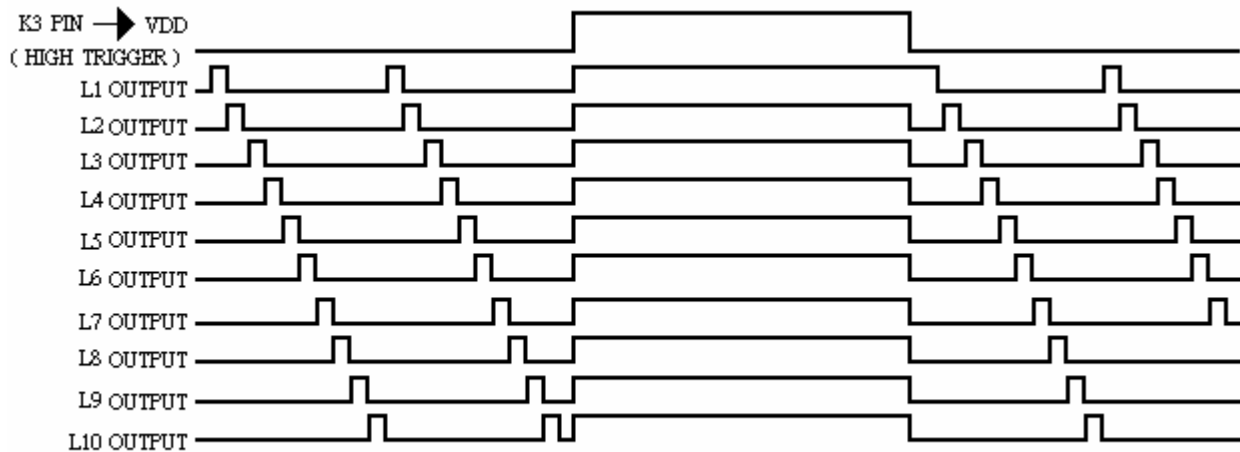


(C) Timing chart of K2 pin :
(All LEDs are continuance blinking)



TRIGGER MODE: LEVEL HOLD

(D) Timing chart of K3 pin :
(All LEDs are light without blinking)



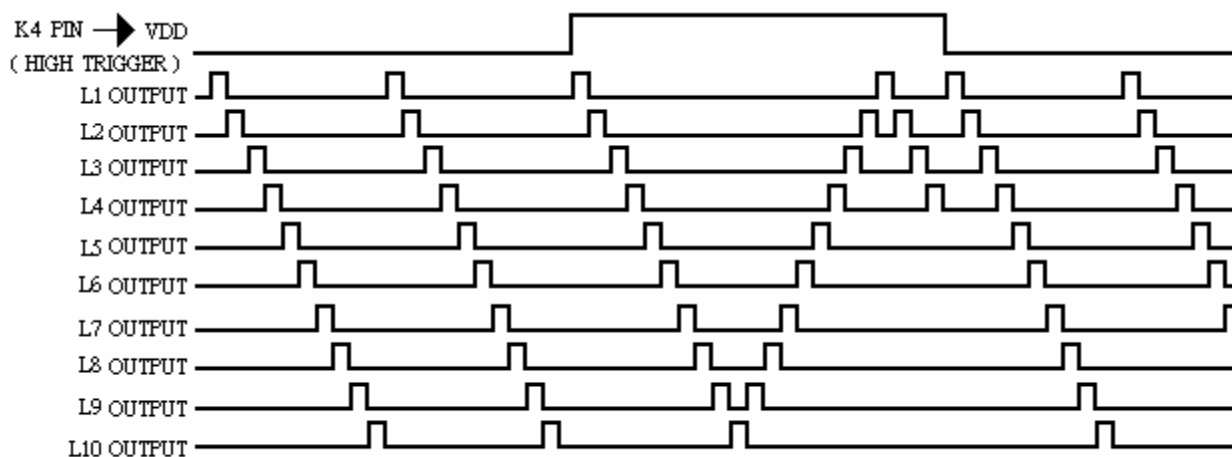
TRIGGER MODE: LEVEL HOLD

(E) Timing chart of K4 pin :
(All LEDs are forward and backward blinking sequentially)

HK928

LED BLINKING IC

10 LED BLINKING



TRIGGER MODE : LEVEL HOLD