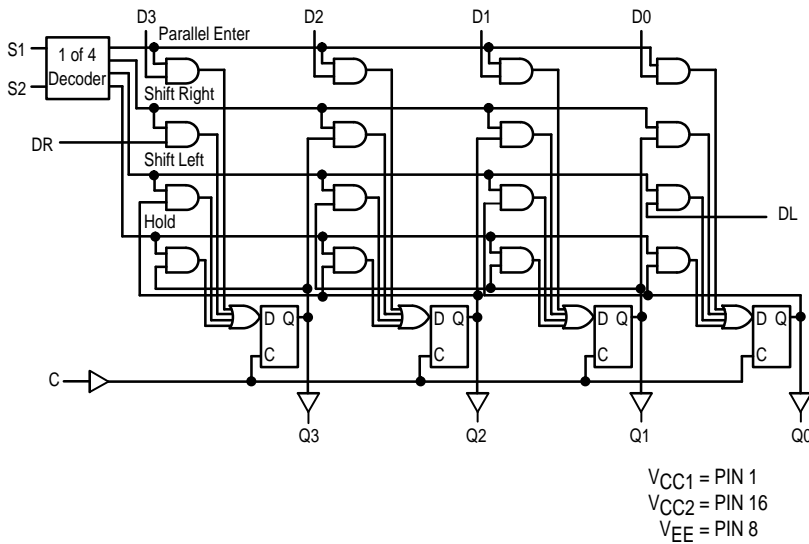


Four Bit Universal Shift Register

The MC10141 is a four-bit universal shift register which performs shift left, or shift right, serial/parallel in, and serial/parallel out operations with no external gating. Inputs S1 and S2 control the four possible operations of the register without external gating of the clock. The flip-flops shift information on the positive edge of the clock. The four operations are stop shift, shift left, shift right, and parallel entry of data. The other six inputs are all data type inputs; four for parallel entry data, and one for shifting in from the left (DL) and one for shifting in from the right (DR).

$P_D = 425 \text{ mW typ/pkg (No Load)}$
 $f_{\text{Shift}} = 200 \text{ MHz typ}$
 $t_r, t_f = 2.0 \text{ ns typ (20\%–80\%)}$

LOGIC DIAGRAM

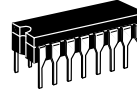


TRUTH TABLE

SELECT		OPERATING MODE	OUTPUTS			
S1	S2		Q0 _{n+1}	Q1 _{n+1}	Q2 _{n+1}	Q3 _{n+1}
L	L	Parallel Entry	D0	D1	D2	D3
L	H	Shift Right*	Q1 _n	Q2 _n	Q3 _n	DR
H	L	Shift Left*	DL	Q0 _n	Q1 _n	Q2 _n
H	H	Stop Shift	Q0 _n	Q1 _n	Q2 _n	Q3 _n

*Outputs as exist after pulse appears at "C" input with input conditions as shown. (Pulse = Positive transition of clock input).

MC10141



L SUFFIX
CERAMIC PACKAGE
CASE 620-10

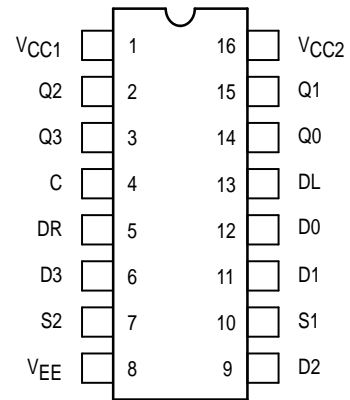


P SUFFIX
PLASTIC PACKAGE
CASE 648-08



FN SUFFIX
PLCC
CASE 775-02

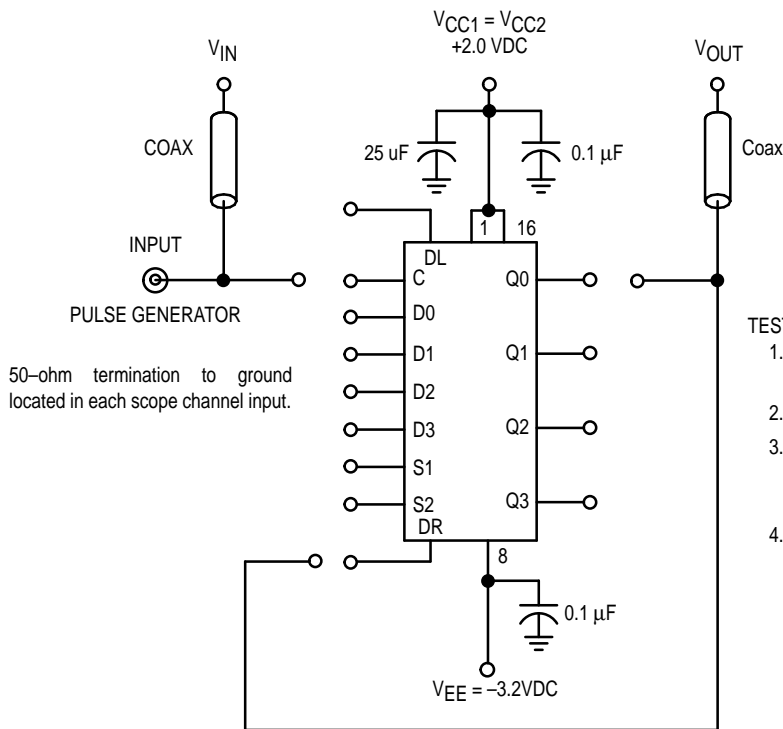
DIP PIN ASSIGNMENT



Pin assignment is for Dual-in-Line Package. For PLCC pin assignment, see the Pin Conversion Tables on page 6-11 of the Motorola MECL Data Book (DL122/D).

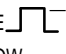


SHIFT FREQUENCY TEST CIRCUIT



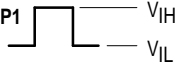
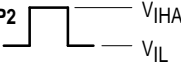
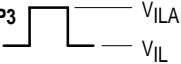
All input and output cables to the scope are equal lengths of 50-ohm coaxial cable. Wire length should be < 1/4 inch from TP_{in} to input pin and TP_{out} to output pin.

TEST PROCEDURES:

1. SET D1, D2, D3 = +0.31 VDC (LOGIC L)
D0 = +1.11 VDC (LOGIC H)
2. APPLY CLOCK PULSE  TO SET Q0 HIGH.
3. MAINTAIN CLOCK LOW.
SET S1 = +0.31 VDC (LOGIC L)
S2 = +1.11 VDC (LOGIC H)
4. TEST SHIFT FREQUENCY

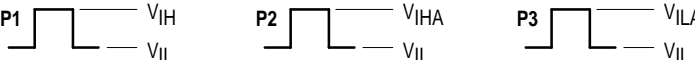
ELECTRICAL CHARACTERISTICS

Characteristic	Symbol	Pin Under Test	Test Limits							Unit	
			-30°C		+25°C			+85°C			
			Min	Max	Min	Typ	Max	Min	Max		
Power Supply Drain Current	I_E	8		112		82	102		112	mAdc	
Input Current	I_{inH}	5		350			220		220	μ Adc	
		6		350			220		220		
7			390			245		245			
4			425			265		265			
	I_{inL}	12	0.5		0.5			0.3		μ Adc	
Output Voltage	Logic 1	V_{OH}	3	-1.060	-0.890	-0.960		-0.810	-0.890	-0.700	Vdc
Output Voltage	Logic 0	V_{OL}	3	-1.890	-1.675	-1.850		-1.650	-1.825	-1.615	Vdc
Threshold Voltage	Logic 1	V_{OHA} (Note 1.)	3	-1.080		-0.980			-0.910		Vdc
			3	-1.080		-0.980			-0.910		
			3	-1.080		-0.980			-0.910		
			3	-1.080		-0.980			-0.910		
Threshold Voltage	Logic 0	V_{OLA} (Note 1.)	3		-1.655			-1.630		-1.595	Vdc
			3		-1.655			-1.630		-1.595	
			3		-1.655			-1.630		-1.595	
			3		-1.655			-1.630		-1.595	
Switching Times (50 Ω Load)										ns	
Propagation Delay	t_{4+3+}	3	1.7	3.9	1.8	2.9	3.8	2.0	4.2		
Setup Time (t_{setup})	t_{12+4+}	14	2.5		2.5			2.5			
	t_{10+4+}	14	5.5		5.0			5.5			
Hold Time (t_{hold})	t_{4+12+}	14	1.5		1.5			1.5			
	Rise Time (20 to 80%)	t_{3+}	3	1.0	3.4	1.1	2.0	3.3	1.1	3.6	
Fall Time (20 to 80%)	t_{3-}	3	1.0	3.4	1.1	2.0	3.3	1.1	3.6		
Shift Frequency	f_{shift}		150		150	200		150		MHz	

- These tests to be performed in sequence as shown.   
- See shift frequency test circuit for test procedures.
- Reset to zero before performing test.
- Reset to one before performing test.

ELECTRICAL CHARACTERISTICS (continued)

@ Test Temperature			TEST VOLTAGE VALUES (Volts)					P1	P2	P3	(V _{CC}) Gnd	
			V _{IHmax}	V _{ILmin}	V _{IHAmin}	V _{ILAmx}	V _{EE}					
-30°C			-0.890	-1.890	-1.205	-1.500	-5.2					
+25°C			-0.810	-1.850	-1.105	-1.475	-5.2					
+85°C			-0.700	-1.825	-1.035	-1.440	-5.2					
Characteristic	Symbol	Pin Under Test	TEST VOLTAGE APPLIED TO PINS LISTED BELOW					P1	P2	P3	(V _{CC}) Gnd	
			V _{IHmax}	V _{ILmin}	V _{IHAmin}	V _{ILAmx}	V _{EE}					
Power Supply Drain Current	I _E	8					8				1, 16	
Input Current	I _{inH}	5	5				8				1, 16	
		6	6				8				1, 16	
7		7				8				1, 16		
4		4				8					1, 16	
	I _{inL}	12	4,5,6,7,9, 10,11,13	12			8				1, 16	
Output Voltage	Logic 1	V _{OH}	3	6			8	4			1, 16	
Output Voltage	Logic 0	V _{OL}	3				8	4			1, 16	
Threshold Voltage	Logic 1	V _{OHA} (Note 1.)	3			6	7	8	4			1, 16
			3	6	Note 3.			8	4			1, 16
			3	6	Note 3.			8		4		1, 16
			3					8			4	
Threshold Voltage	Logic 0	V _{OLA} (Note 1.)	3				6	8	4			1, 16
			3		Note 4.		7	8	4			1, 16
			3		Note 4.			8		4		1, 16
			3	6				8			4	
Switching Times (50Ω Load)							-3.2 V				+2.0 V	
Propagation Delay	t ₄₊₃₊	3					8				1, 16	
Setup Time (t _{setup})	t ₁₂₊₄₊	14					8				1, 16	
	t ₁₀₊₄₊	14					8				1, 16	
	t ₄₊₁₂₊	14					8				1, 16	
Hold Time (t _{hold})	t ₄₊₁₂₊	14					8				1, 16	
Rise Time (20 to 80%)	t ₃₊	3					8				1, 16	
Fall Time (20 to 80%)	t ₃₋	3					8				1, 16	
Shift Frequency	f _{shift}		Note 2.				8				1, 16	

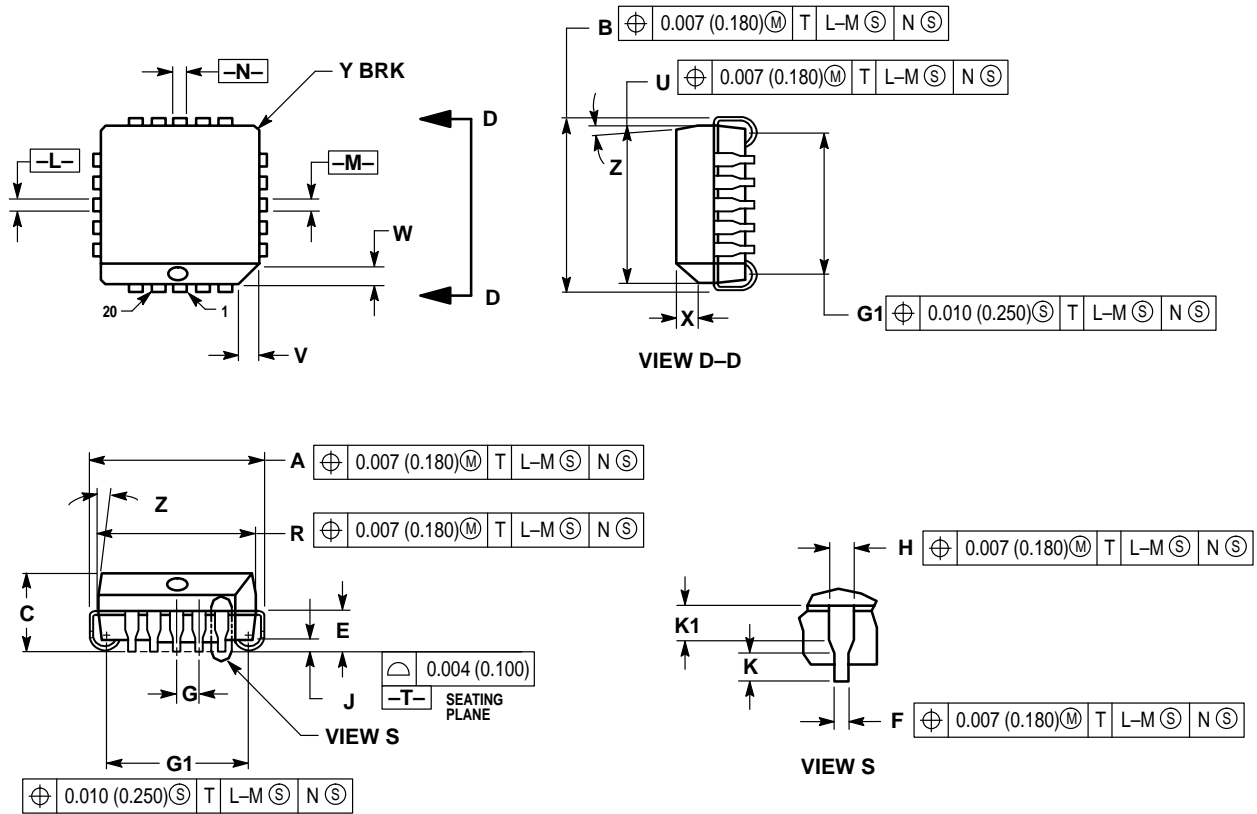
1. These tests to be performed in sequence as shown. 

2. See shift frequency test circuit for test procedures.
3. Reset to zero before performing test.
4. Reset to one before performing test.

Each MECL 10,000 series circuit has been designed to meet the dc specifications shown in the test table, after thermal equilibrium has been established. The circuit is in a test socket or mounted on a printed circuit board and transverse air flow greater than 500 linear fpm is maintained. Outputs are terminated through a 50-ohm resistor to -2.0 volts. Test procedures are shown for only one gate. The other gates are tested in the same manner.

OUTLINE DIMENSIONS

FN SUFFIX
PLASTIC PLCC PACKAGE
CASE 775-02
ISSUE C

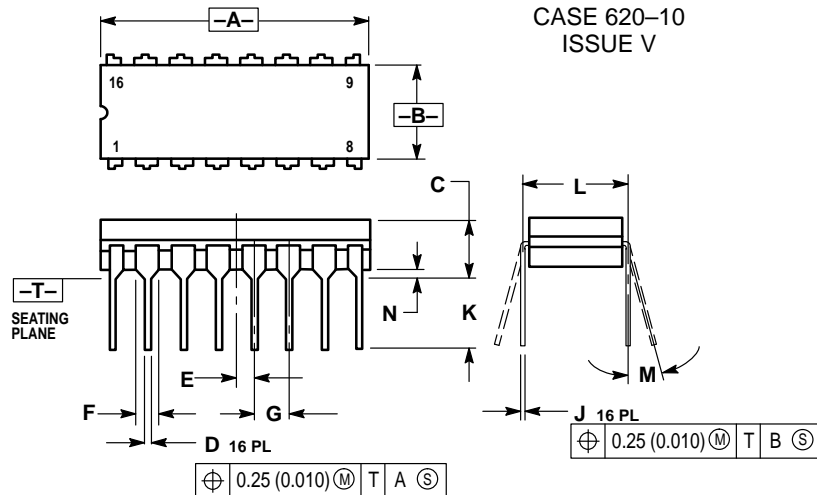


- NOTES:
- DATUMS -L-, -M-, AND -N- DETERMINED WHERE TOP OF LEAD SHOULDER EXITS PLASTIC BODY AT MOLD PARTING LINE.
 - DIMENSION G1, TRUE POSITION TO BE MEASURED AT DATUM -T-, SEATING PLANE.
 - DIMENSIONS R AND U DO NOT INCLUDE MOLD FLASH. ALLOWABLE MOLD FLASH IS 0.010 (0.250) PER SIDE.
 - DIMENSIONING AND TOLERANCING PER ANSI Y14.5M, 1982.
 - CONTROLLING DIMENSION: INCH.
 - THE PACKAGE TOP MAY BE SMALLER THAN THE PACKAGE BOTTOM BY UP TO 0.012 (0.300). DIMENSIONS R AND U ARE DETERMINED AT THE OUTERMOST EXTREMES OF THE PLASTIC BODY EXCLUSIVE OF MOLD FLASH, TIE BAR BURRS, GATE BURRS AND INTERLEAD FLASH, BUT INCLUDING ANY MISMATCH BETWEEN THE TOP AND BOTTOM OF THE PLASTIC BODY.
 - DIMENSION H DOES NOT INCLUDE DAMBAR PROTRUSION OR INTRUSION. THE DAMBAR PROTRUSION(S) SHALL NOT CAUSE THE H DIMENSION TO BE GREATER THAN 0.037 (0.940). THE DAMBAR INTRUSION(S) SHALL NOT CAUSE THE H DIMENSION TO BE SMALLER THAN 0.025 (0.635).

DIM	INCHES		MILLIMETERS	
	MIN	MAX	MIN	MAX
A	0.385	0.395	9.78	10.03
B	0.385	0.395	9.78	10.03
C	0.165	0.180	4.20	4.57
E	0.090	0.110	2.29	2.79
F	0.013	0.019	0.33	0.48
G	0.050 BSC		1.27 BSC	
H	0.026	0.032	0.66	0.81
J	0.020	—	0.51	—
K	0.025	—	0.64	—
R	0.350	0.356	8.89	9.04
U	0.350	0.356	8.89	9.04
V	0.042	0.048	1.07	1.21
W	0.042	0.048	1.07	1.21
X	0.042	0.056	1.07	1.42
Y	—	0.020	—	0.50
Z	2°	10°	2°	10°
G1	0.310	0.330	7.88	8.38
K1	0.040	—	1.02	—

OUTLINE DIMENSIONS

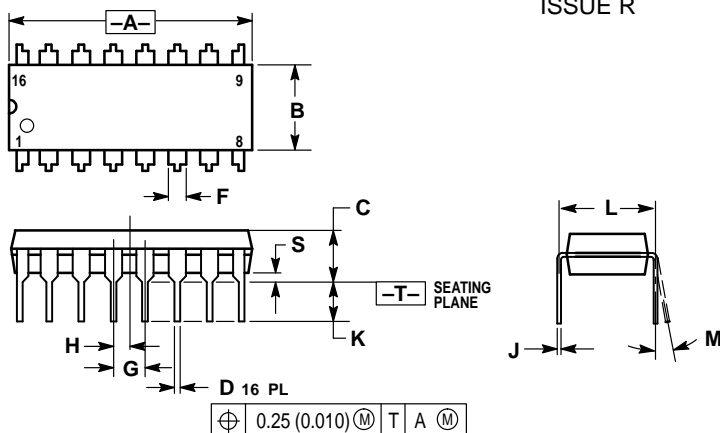
L SUFFIX
CERAMIC DIP PACKAGE
 CASE 620-10
 ISSUE V



- NOTES:
1. DIMENSIONING AND TOLERANCING PER ANSI Y14.5M, 1982.
 2. CONTROLLING DIMENSION: INCH.
 3. DIMENSION L TO CENTER OF LEAD WHEN FORMED PARALLEL.
 4. DIMENSION F MAY NARROW TO 0.76 (0.030) WHERE THE LEAD ENTERS THE CERAMIC BODY.


DIM	INCHES		MILLIMETERS	
	MIN	MAX	MIN	MAX
A	0.750	0.785	19.05	19.93
B	0.240	0.295	6.10	7.49
C	—	0.200	—	5.08
D	0.015	0.020	0.39	0.50
E	0.050 BSC		1.27 BSC	
F	0.055	0.065	1.40	1.65
G	0.100 BSC		2.54 BSC	
H	0.008	0.015	0.21	0.38
K	0.125	0.170	3.18	4.31
L	0.300 BSC		7.62 BSC	
M	0°	15°	0°	15°
N	0.020	0.040	0.51	1.01

P SUFFIX
PLASTIC DIP PACKAGE
 CASE 648-08
 ISSUE R



- NOTES:
1. DIMENSIONING AND TOLERANCING PER ANSI Y14.5M, 1982.
 2. CONTROLLING DIMENSION: INCH.
 3. DIMENSION L TO CENTER OF LEADS WHEN FORMED PARALLEL.
 4. DIMENSION B DOES NOT INCLUDE MOLD FLASH.
 5. ROUNDED CORNERS OPTIONAL.

DIM	INCHES		MILLIMETERS	
	MIN	MAX	MIN	MAX
A	0.740	0.770	18.80	19.55
B	0.250	0.270	6.35	6.85
C	0.145	0.175	3.69	4.44
D	0.015	0.021	0.39	0.53
F	0.040	0.70	1.02	1.77
G	0.100 BSC		2.54 BSC	
H	0.050 BSC		1.27 BSC	
J	0.008	0.015	0.21	0.38
K	0.110	0.130	2.80	3.30
L	0.295	0.305	7.50	7.74
M	0°	10°	0°	10°
S	0.020	0.040	0.51	1.01

Motorola reserves the right to make changes without further notice to any products herein. Motorola makes no warranty, representation or guarantee regarding the suitability of its products for any particular purpose, nor does Motorola assume any liability arising out of the application or use of any product or circuit, and specifically disclaims any and all liability, including without limitation consequential or incidental damages. "Typical" parameters which may be provided in Motorola data sheets and/or specifications can and do vary in different applications and actual performance may vary over time. All operating parameters, including "Typicals" must be validated for each customer application by customer's technical experts. Motorola does not convey any license under its patent rights nor the rights of others. Motorola products are not designed, intended, or authorized for use as components in systems intended for surgical implant into the body, or other applications intended to support or sustain life, or for any other application in which the failure of the Motorola product could create a situation where personal injury or death may occur. Should Buyer purchase or use Motorola products for any such unintended or unauthorized application, Buyer shall indemnify and hold Motorola and its officers, employees, subsidiaries, affiliates, and distributors harmless against all claims, costs, damages, and expenses, and reasonable attorney fees arising out of, directly or indirectly, any claim of personal injury or death associated with such unintended or unauthorized use, even if such claim alleges that Motorola was negligent regarding the design or manufacture of the part. Motorola and  are registered trademarks of Motorola, Inc. Motorola, Inc. is an Equal Opportunity/Affirmative Action Employer.

How to reach us:

USA/EUROPE/Locations Not Listed: Motorola Literature Distribution;
 P.O. Box 5405, Denver, Colorado 80217. 303-675-2140 or 1-800-441-2447

Mfax™: RMFAX0@email.sps.mot.com – TOUCHTONE 602-244-6609
INTERNET: http://Design-NET.com

JAPAN: Nippon Motorola Ltd.; Tatsumi-SPD-JLDC, 6F Seibu-Butsuryu-Center,
 3-14-2 Tatsumi Koto-Ku, Tokyo 135, Japan. 81-3-3521-8315

ASIA/PACIFIC: Motorola Semiconductors H.K. Ltd.; 8B Tai Ping Industrial Park,
 51 Ting Kok Road, Tai Po, N.T., Hong Kong. 852-26629298

