



SU90 series Magnetic Card Reader

Small size, Excellent performance

Overview

SU90 is a small size manual-swipe magnetic card reader with excellent reading performance.

The reading IC and PCB is from Taiwan, magnetic head from China mainland.

The standard SU90 reader is set to read the 1,2,3 magnetic tracks. identify 8 type keyboard languages. (according to datasheet page 3)

The output data format, magnetic track selection, and keyboard languages can be set by the DIP Switcher. thus it is a very flexile choice for system integration.

Upon customer request on specify project, we can configurate the reader in factory to support customer with a optimum reader fuction.

Supported Standard

ISO 7810, ISO 7811 conformance.

OEM and Customization Support

Huayuan accept the OEM/ODM manufacturing of the reader.

Key features:

- Manual-swipe type reader
- Bi-directional reading capability
- ISO 7810, ISO 7811 conformance
- USB HID device (Human Interface Device)
- Simulating "keyboard" input
- Power supplied by the computer
- Excellent small size
- Reduction of Hazardous Substances (RoHS)

Applications:

- POS terminal
- Post Office
- Banks

Shanghai Huayuan Electronic Co.,Ltd

Jindu mansion NO.277 Wuxing RD

Shanghai China PR

TEL: 86 21 64458052

FAX: 86 21 64671155

For more information and support,
please contact us at:

sales@rfidhy.com

T: 86 21 64458052

F: 86 21 64671155

www.rfidhy.com
www.hy-smart.com



Performance Characteristics

Magnetic Card standard	ISO 7810, ISO 7811 JIS X6302 Type 1 & Type 2
Card Swiping Speed	10 ~ 150 cm/sec
Decodiv Method	F/2F
Reading Direction	Bi-directional reading capability
Power	Power supplied by the computer From USB port
Lifespan of the Magnetic Head	Approx. 300,000 passes
Display	Operation responded by two LED and one buzzer
Supporting System	Microsoft Windows 98 (2nd Edition), ME, 2000, XP
Keyboard Language	English, Chinese, Portuguese, Spanish, Danish, Italian, French, German, Japanese

Physical Characteristics

Dimensions (LxWxD)	90×29×27mm
Weight	10 ~ 150 cm/sec
Color	Black/ White

Environment

Operating temperature	-10 ~ 50°C
Storage Temperature	-20° to +70° C
Relative Humidity	90% non-condensing
USB Interface	Compliant with USBV1.1
Power	Power supplied by the computer From USB port
Certificate	ROHS

ISO7811

	Track1	Track2	Track3
Recording Density	210BPI	75BPI	210BPI
Capacity	79 characters (7 bit code)	40 characters (5 bit code)	107 characters (5 bit code)
Start / End Code	% / ?	; / ?	; / ?

Concept Corridor



About Us

Copyright © 2007-2008 Shanghai HUAYUAN Electronic Corp. All rights reserved. Huayuan logo and Huayuan are registered trademarks of Shanghai Huayuan Electronic Corp.

Since 1994, Huayuan has been providing Card and Tag for electronic access control and Radio-Frequency Identification, with an emphasis on quality, security and value. Huayuan products are known internationally for their reliability. We have a complete line of RFID transponders ranging from RFID card, RFID access control Tag, RFID asset management Tag, etc. Huayuan supply straightforward to the RFID system integrator and distributor all over the world. Our manufacturing plant and general offices are located Shanghai China. The full range of house capabilities include card manufacturing; custom graphics and printing. In-house capabilities include card manufacturing; custom graphics and printing.

Shanghai Huayuan Electronic Co.,Ltd
 Room 707/709, Jindu mansion NO.277
 Wuxing RD Shanghai CHINA
 TEL: 86 21 64458052
 FAX: 86 21 64671155

<http://www.rfidhy.com>
<http://www.hy-smart.com>

For more information,
 contact us at:

Email: sales@rfidhy.com

DIP Switcher Definition	
Nuber of Switcher	Signification
Switcher NO1 & NO2	Output Data Format
Switcher NO3	Track1 Configuration
Switcher NO4	Track2 Configuration
Switcher NO5	Track3 Configuration
Switcher NO6 & NO7 & NO8	Keyboard Language

DIP Switcher							
NO = Value "1"							
OFF = Value "0"							

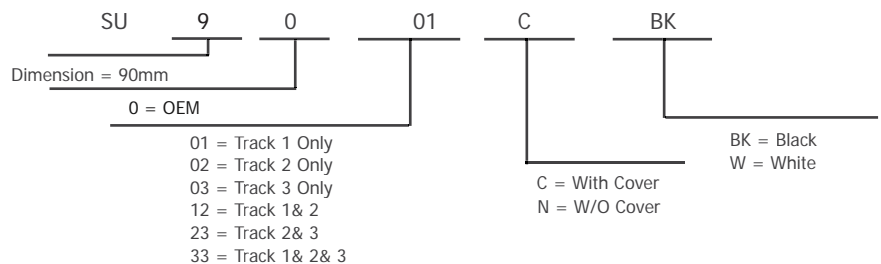
Nuber of Switcher	NO 1	NO 2	NO 3	NO 4	NO 5	NO 6	NO 7	NO 8
-------------------	------	------	------	------	------	------	------	------

Keyboard Language	
Value	Signification
000	English (Default)
001	Portuguese
010	Spanish
011	Danish
100	Italish
101	French
110	German

Track1 Configuration		Track3 Configuration		Track2 Configuration	
Value	Signification	Value	Signification	Value	Signification
0	Disable	0	Disable	0	Disable
1	Enable(Default)	1	Enable(Default)	1	Enable(Default)

Output Data Format	
Value	Signification
00	Track1_Data + Track2_Data + Track3_Data + <Enter>
01	Track1_Data + <Enter> + Track2_Data + <Enter> + Track3_Data + <Enter>
10	Track1_Data + Track2_Data + Track3_Data
11	(RFU)

Ordering Information



This chart shows general offering of this reader

About Us

Copyright © 2007-2008 Shanghai Huayuan Electronic Corp. All rights reserved. Huayuan logo and Huayuan are registered trademarks of Shanghai Huayuan Electronic Corp.

Since 1994, Huayuan has been providing Card and Tag for electronic access control and Radio-Frequency Identification, with an emphasis on quality, security and value. Huayuan products are known internationally for their reliability. We have a complete line of RFID transponders ranging from RFID card, RFID access control Tag, RFID asset management Tag, etc. Huayuan supply straightforward to the RFID system integrator and distributor all over the world. Our manufacturing plant and general offices are located Shanghai China. The full range of house capabilities include card manufacturing; custom graphics and printing, in-house capabilities include card manufacturing; custom graphics and printing.

Shanghai Huayuan Electronic Co.,Ltd
 Room 707/709, Jindu mansion NO.277
 Wuxing RD Shanghai CHINA
 TEL: 86 21 64458052
 FAX: 86 21 64671155

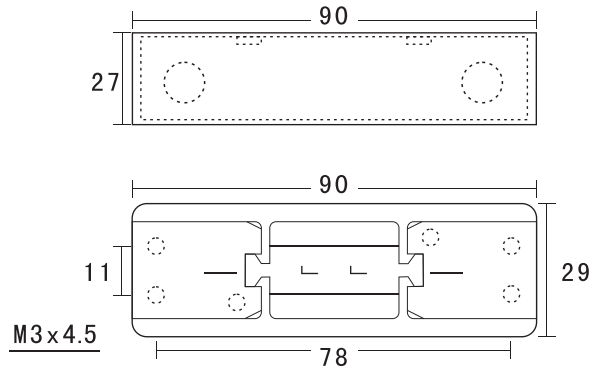
<http://www.rfidhy.com>
<http://www.hy-smart.com>

For more information,
 contact us at:

Email: sales@rfidhy.com



Small size, Excellent Performance

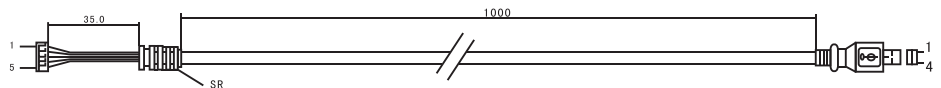


Unit: mm

Cable Specification: 1/2

P2 to SU_series
 JAEIL_Z_5S_S125C3 or compatible

P1 to USB
 (low speed cables;
 mon spiral, mon covered)



Unit: mm
 Cable: 4C+1 28AWG
 OD: 3.8 ± 0.1 mm

Pin assignment

	P1	P2	Function
Red	1	2	Vcc
White	2	3	Data -
Green	3	4	Data +
Black	4	5	GND
		1	Case GND

About Us

Copyright © 2007-2008 Shanghai Huayuan Electronic Corp. All rights reserved. Huayuan logo and Huayuan are registered trademarks of Shanghai Huayuan Electronic Corp.

Since 1994, Huayuan has been providing Card and Tag for electronic access control and Radio-Frequency Identification, with an emphasis on quality, security and value. Huayuan products are known internationally for their reliability. We have a complete line of RFID transponders ranging from RFID card, RFID access control Tag, RFID asset management Tag, etc. Huayuan supply straightforward to the RFID system integrator and distributor all over the world. Our manufacturing plant and general offices are located Shanghai China. The full range of house capabilities include card manufacturing; custom graphics and printing. in-house capabilities include card manufacturing; custom graphics and printing.