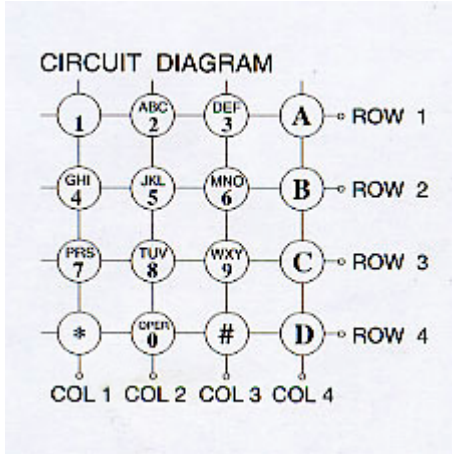


General Specification

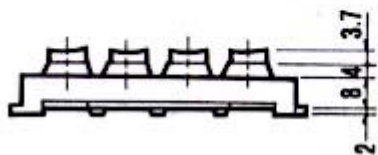
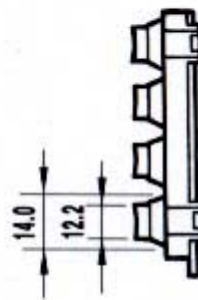
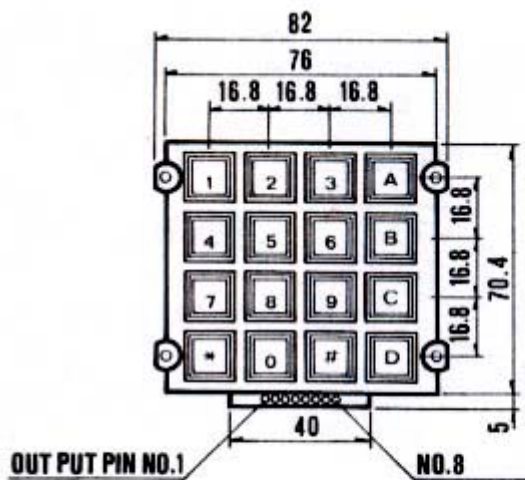
- Contact rating:20mA,24VDC
- Contact resistance:200 ohm max
- Life:1,000,000 cycles per key
- Operating Temperature: -20□ to +60□
- Storage Temperature: -40□ to +65□

Standard Matrix Circuit Diagram



AK-1607

OUTPUT ARRANGEMENT	
OUTPUT PIN NO.	SYMBOL
1	ROW 2
2	ROW 3
3	COL 1
4	ROW 4
5	COL 2
6	COL 3
7	COL 4
8	ROW 1



ACTUATING FORCE: 100 ± 30 GRAMS.
STROKE: 2.0 ± 0.5 mm.