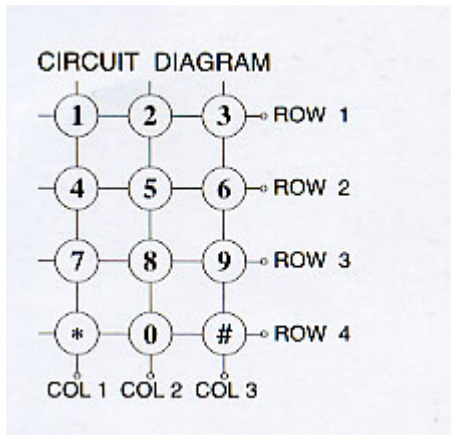


### General Specification

- Contact rating:20mA,24VDC
- Contact resistance:200 ohm max
- Life:1,000,000 cycles per key
- Operating Temperature: -20□ to +60□
- Storage Temperature: -40□ to +65□

### Standard Matrix Circuit Diagram



### AK-207

OUTPUT ARRANGEMENT	
OUTPUT PIN NO.	SYMBOL
1	COL 2
2	ROW 1
3	COL 1
4	ROW 4
5	COL 3
6	ROW 3
7	ROW 2

